

# **i**DECK

**Naturally Durable Decking**

**IPE  
DECKING  
GUIDE**



**1-800-688-2882**

**2307 West Cone Blvd., Suite 200  
Greensboro, NC 27408**

# Contents

<b>FAQ (Frequently Asked Questions)</b>	<b>3</b>
<b>Guidelines and Helpful Hints</b>	<b>5</b>
<b>Available Decking Options</b>	<b>7</b>
<b>Profiles &amp; Bundle Tallies</b>	
<b>Decking Boards</b>	<b>8</b>
<b>Pickets</b>	<b>23</b>
<b>Posts</b>	<b>24</b>
<b>Handrails</b>	<b>26</b>
<b>Patio Tiles</b>	<b>28</b>
<b>iConnect</b>	<b>29</b>
<b>iCLIP</b>	<b>30</b>

# **FAQ**

**DLH Nordisk Inc. is always happy to answer any questions that you may have. Please contact us for additional information.**

## **What is Ipe?**

**Also known as Brazilian Walnut and Ironwood, Ipe is a very dense straight grained tropical hardwood. Ipe heartwood that is used in decking applications ranges anywhere from an olive brown to blackish color.**

## **What is IDECK?**

**IDECK is our brand name for top quality air-dried Ipe decking. Ipe boards and tiles are imported from Brazil to Savannah, GA. where we then ship them to distributors and wholesalers all over the United States.**

## **Why is Ipe a good decking material?**

**Our Ipe decking has an extremely attractive appearance and smooth, splinter-free surfaces. Ipe air-dries quickly with only slight warping or checking (splitting and cracking). Movement after manufacture is rated to be small.**

## **How durable is Ipe decking?**

**Ipe decking has a durability rating of “25 years plus” and is naturally resistant against rot, wood boring insects and fungus. It has also been given the same fire rating as steel and concrete. DLH Nordisk offers a 25 year warranty against rot/decay and termites. This warranty applies whether or not you apply a coating to your deck. However, because we cannot supervise the installation, which is done in a variety of ways, we highly suggest that your customer be provided with this information as well. Please feel free to contact us regarding proper installation of IDECK.**

## **Do stains and sealers need to be applied to Ipe decks?**

**No, the application of stains and sealers are not necessary on Ipe decking however it can be stained to basically any desired color. If left untreated with stains or sealers Ipe will slowly weather to a natural silvery gray color. For more information please see the following section, *Guidelines and Helpful Hints*.**

### **What are some other advantages of choosing Ipe decking over other materials?**

Ipe decking is free of visible knots and defects. It has an extremely attractive appearance while it maintains structural stability for countless years. Also, its resistance to insects, mold and decay is natural so that no toxic chemicals are used as a preservative treatment.

### **In what applications can Ipe decking be used?**

Our products have been used in a number of different types of projects. Some ideas for the use of Ipe decking include: patios, decks, walkways, bridges, piers, boat docks and pool decks. Ipe decking has many versatile uses that are only limited to your imagination.

### **Is Ipe decking expensive?**

DLH Nordisk's decking is reasonably priced and an excellent value for a deck that will last a lifetime. Ipe decking is competitively priced to Cedar, Redwood, or composites. For more pricing information please contact one of our salesmen.

### **What are the decking options that DLH Nordisk offers?**

DLH Nordisk offers square decking tiles, posts, pickets, handrails, unique easy-to-use connection/fastener systems and decking boards in an array of different dimensions and profiles. For more information please see the *Available Decking Options* section.

### **Can the individual consumer buy IDECK from DLH Nordisk?**

No, because of the large area DLH services and the quantity of decking we import, it is not economical for us to service individual customers. However it is common practice for us to refer customers to the IDECK dealers that we are able to service.

\*Technical information on Ipe was obtained from the U.S. Center for Wood Anatomy.\*

# **Guidelines and Helpful Hints**

## **About IDECK**

**IDECK is our name for Ipe decking that is not only procured from Brazil but is machined there as well. All extraction of Ipe is regulated by Federal Law #4771 (Forest Code) of 1965 and by IBAMA (Brazilian Institute of Environmental and Renewable Resources) registered #48 of 1995. Ipe is one of the hardest and most dense species known. With a weight of approximately 6 lbs per board foot (net), it offers superior durability and resistance against rot/decay that even pressure treated products cannot surpass. Typically Ipe has a natural medium brown color and a smooth texture that is less likely to splinter and peel up like some other woods, thus reducing splinters and unsightly raised grain seen commonly on weather decks after a few years.**

## **Let the Wood Climatize**

**Ipe decking is produced in Brazil, where it is naturally humid. From there it arrives at a port in the southeast USA. Needless to say, once you receive your decking, you should allow the material time to equalize to the environment of your location. This will generally take a week or two, perhaps longer, if you are in some of the dryer areas of the country. In doing so, you will reduce the spacing between boards due to shrinkage after installation. If the wood has not been allowed to pre-shrink prior to installation, gaps between boards may develop that are wider than the original desired spacing.**

## **The Substructure/Joist System**

**Along with decking, we can supply you with all of the visually appealing parts for your project such as posts, pickets, and handrails. But as for the load bearing substructure, a high quality pressure treated product works fine. The Ipe decking boards and other Ipe parts will shelter the substructure and therefore bear most of the burden of weathering. For these reasons, using treated products for the substructure of your Ipe deck makes the most sense from both a cost and practical standpoint.**

## **Joist Spacing**

**In order to ensure a long and safe service life for you deck we recommend a joist spacing of 16" on centers for our 1x4, 1x6 and 1x8 stock. For 5/4 stock 24" spacing can be used and 32" can be used for 2" thick stock. Depending on the design, shorter joist spacing may be required for installing decks with a diagonal pattern.**

### **End Checking**

During installation, exposed end grain after sawing can quickly produce end checking/ end cracks. To help reduce end checks a wax based emulsion, such as a product similar to Anchor Seal is recommended.

### **IDECK Spacing**

When installing the decking boards, a 1/16" spacing between boards is generally recommended. This will allow for proper air circulation between boards will also minimizing the gap width after the natural seasoning of the deck takes place.

### **Tools**

Ipe can be worked with conventional carbide tipped blades and drill bits. The tool life of high speed steel will be greatly shortened when cutting or drilling Ipe.

### **Fasteners and Fastening Systems**

The use of stainless steel screws and stainless steel ring shank nails are recommended because of their strength and resistance to corrosion. Also, due to the high density of Ipe pre-drilling will be required before installing screws. We offer an easy-to-install hidden fastener system called iCLIP. iClip eliminates the hassle of pre-drilling and saves you even more time by automatically spacing your decking boards. Since iCLIP is designed to be virtually invisible compared to nails and screws, you can now give your project a nice finished look without extra work.

### **To Stain or Not to Stain**

We recommend that you initially put a protective coating of pigmented stain on all sides of the decking before or after installation. If you want to maintain the stained look you will need to recoat as needed. If you want to avoid further maintenance you can let the wood just turn a natural grey.

\*The product mentioned above is for suggestive purposes only. DLH Nordisk will not assume responsibility for dissatisfaction in these products in any way.

**DLH Nordisk Inc.**

**Available**

**Decking Options**

**Profiles &**

**Bundle Tallies**

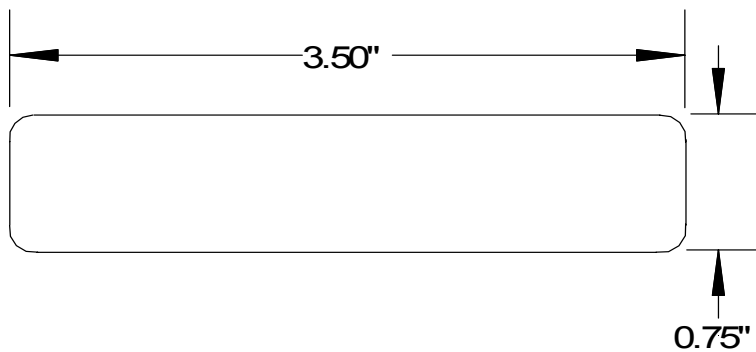


# Decking Boards

## 1" x 4"

<b>Bundle Tally</b>	<b>Gross</b>	<b>Net</b>					
Thickness	1	.75					
Width	4	3.5	<b>Bundle Description: 1x4</b>				
Lengths (ft.)	8	10	12	14	16	18	20
Pieces per bundle	231	231	231	231	231	231	231
Gross board feet per bundle	616	770	924	1078	1232	1386	1540
Gross board feet per piece	2.7	3.3	4.0	4.7	5.3	6.0	6.7
Net board feet per bundle	404	505	606	707	809	910	1011
Net board feet per piece	1.8	2.2	2.6	3.1	3.5	3.9	4.4
Linear feet per bundle	1848	2310	2772	3234	3696	4158	4620
Pounds per bundle	2567	3209	3850	4492	5134	5776	6417
Pounds per piece	11.1	13.9	16.7	19.4	22.2	25.0	27.8

\* All tallies describe typical bundles and are subject to change.

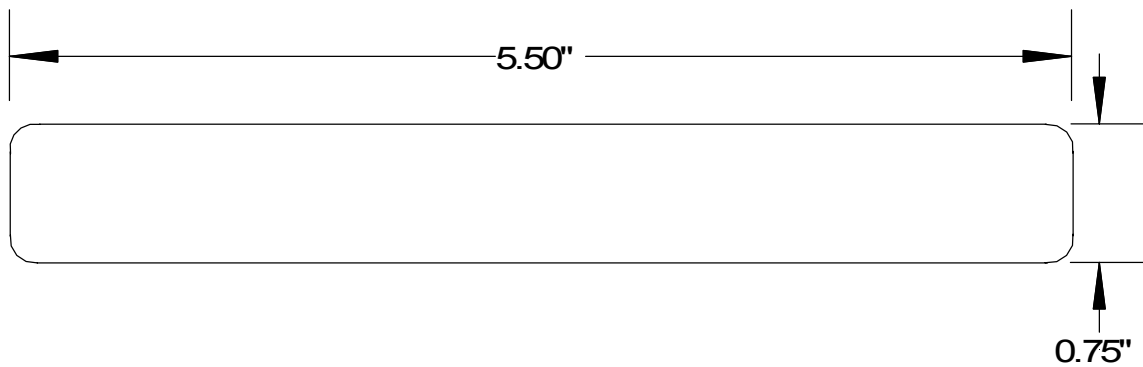


# Decking Boards

## 1" x 6"

<b>Bundle Tally</b>	<b>Gross</b>	<b>Net</b>	<b>Bundle Description: 1x6</b>						
Thickness	1	.75							
Width	6	5.5							
Lengths (ft.)			<b>8</b>	<b>10</b>	<b>12</b>	<b>14</b>	<b>16</b>	<b>18</b>	<b>20</b>
Pieces per bundle			147	147	147	147	147	147	147
Gross board feet per bundle			588	735	882	1029	1176	1323	1470
Gross board feet per piece			4.0	5.0	6.0	7.0	8.0	9.0	10.0
Net board feet per bundle			404	505	606	707	809	910	1011
Net board feet per piece			2.8	3.4	4.1	4.8	5.5	6.2	6.9
Linear feet per bundle			1176	1470	1764	2058	2352	2646	2940
Pounds per bundle			2567	3209	3850	4492	5134	5776	6417
Pounds per piece			17.5	21.8	26.2	30.6	34.9	39.3	43.7

\* All tallies describe typical bundles and are subject to change.

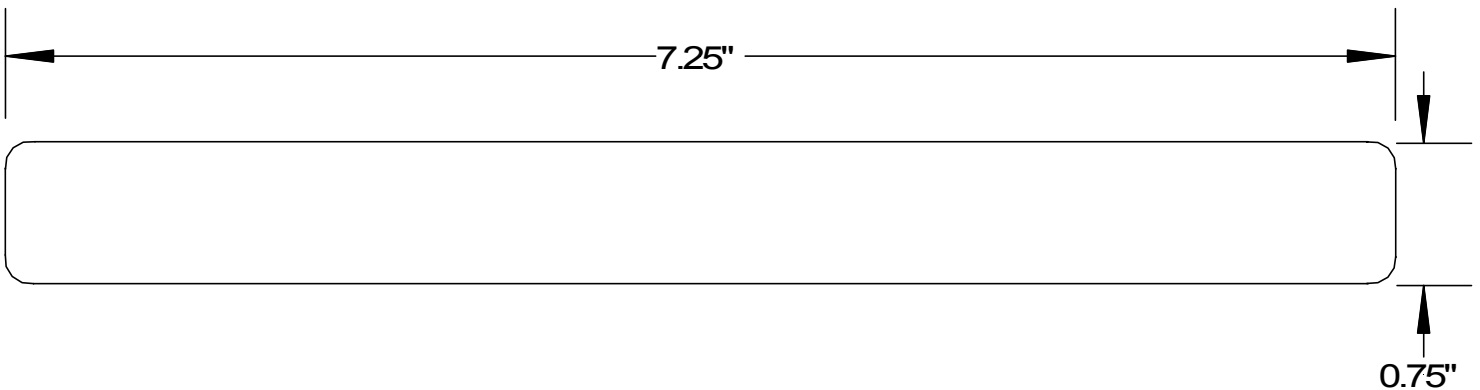


# Decking Boards

## 1" x 8"

<b>Bundle Tally</b>	<b>Gross</b>	<b>Net</b>	<b>Bundle Description: 1x8</b>						
<b>Thickness</b>	<b>1</b>	<b>.75</b>							
<b>Width</b>	<b>8</b>	<b>7.25</b>							
<b>Lengths (ft.)</b>			<b>8</b>	<b>10</b>	<b>12</b>	<b>14</b>	<b>16</b>	<b>18</b>	<b>20</b>
<b>Pieces per bundle</b>			<b>105</b>	<b>105</b>	<b>105</b>	<b>105</b>	<b>105</b>	<b>105</b>	<b>105</b>
<b>Gross board feet per bundle</b>			<b>560</b>	<b>700</b>	<b>840</b>	<b>980</b>	<b>1120</b>	<b>1260</b>	<b>1400</b>
<b>Gross board feet per piece</b>			<b>5.3</b>	<b>6.7</b>	<b>8.0</b>	<b>9.3</b>	<b>10.7</b>	<b>12.0</b>	<b>13.3</b>
<b>Net board feet per bundle</b>			<b>381</b>	<b>476</b>	<b>571</b>	<b>666</b>	<b>761</b>	<b>856</b>	<b>952</b>
<b>Net board feet per piece</b>			<b>3.6</b>	<b>4.5</b>	<b>5.4</b>	<b>6.3</b>	<b>7.3</b>	<b>8.2</b>	<b>9.1</b>
<b>Linear feet per bundle</b>			<b>840</b>	<b>1050</b>	<b>1260</b>	<b>1470</b>	<b>1680</b>	<b>1890</b>	<b>2100</b>
<b>Pounds per bundle</b>			<b>2417</b>	<b>3021</b>	<b>3625</b>	<b>4230</b>	<b>4834</b>	<b>5438</b>	<b>6042</b>
<b>Pounds per piece</b>			<b>23.0</b>	<b>28.8</b>	<b>34.5</b>	<b>40.3</b>	<b>46.0</b>	<b>51.8</b>	<b>57.5</b>

\* All tallies describe typical bundles and are subject to change.

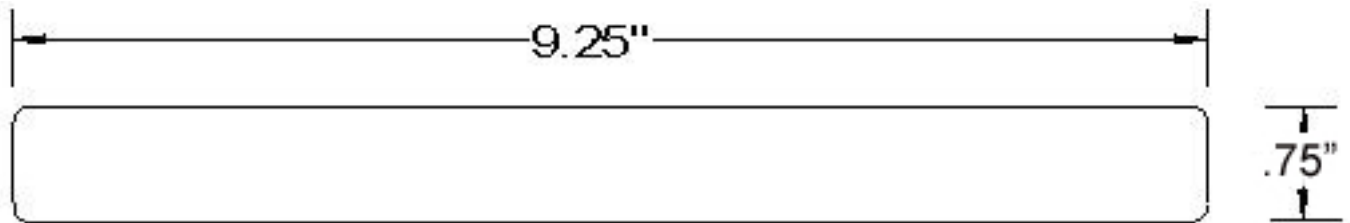


# Decking Boards

## 1" x 10"

<b>Bundle Tally</b>	<b>Gross</b>	<b>Net</b>						
Thickness	1	.75						
Width	10	9.25	<b>Bundle Description: 1 x 10</b>					
Lengths (ft.)	8	10	12	14	16	18	20	
Pieces per bundle	105	105	105	105	105	105	105	
Gross board feet per bundle	700	875	1050	1225	1400	1575	1750	
Gross board feet per piece	6.7	8.3	10.0	11.7	13.3	15.0	16.7	
Net board feet per bundle	486	607	728	850	971	1093	1214	
Net board feet per piece	4.6	5.8	6.9	8.1	9.3	10.4	11.6	
Linear feet per bundle	840	1050	1260	1470	1680	1890	2100	
Pounds per bundle	3084	3855	4626	5397	6167	6938	7709	
Pounds per piece	29.4	36.7	44.1	51.4	58.7	66.1	73.4	

\* All tallies describe typical bundles and are subject to change.

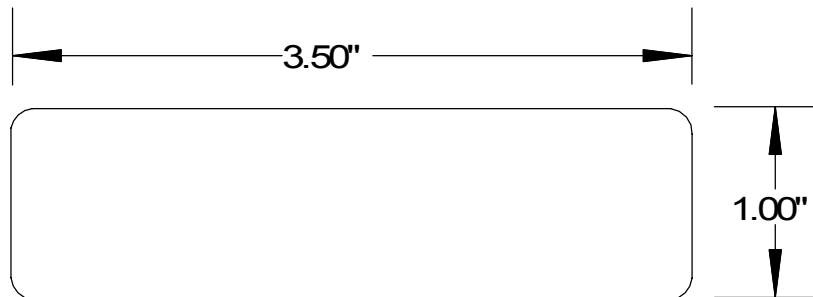


# Decking Boards

## 5/4" x 4"

<b>Bundle Tally</b>	<b>Gross</b>	<b>Net</b>	<b>Bundle Description: 5/4x4</b>						
Thickness	1.25	1							
Width	4	3.5							
Lengths (ft.)			8	10	12	14	16	18	20
Pieces per bundle	165	165	165	165	165	165	165	165	165
Gross board feet per bundle	550	688	825	963	1100	1238	1375		
Gross board feet per piece	3.3	4.2	5.0	5.8	6.7	7.5	8.3		
Net board feet per bundle	385	481	578	674	770	866	963		
Net board feet per piece	2.3	2.9	3.5	4.1	4.7	5.3	5.8		
Linear feet per bundle	1320	1650	1980	2310	2640	2970	3300		
Pounds per bundle	2445	3056	3667	4278	4890	5501	6112		
Pounds per piece	14.8	18.5	22.2	25.9	29.6	33.3	37.0		

\* All tallies describe typical bundles and are subject to change.

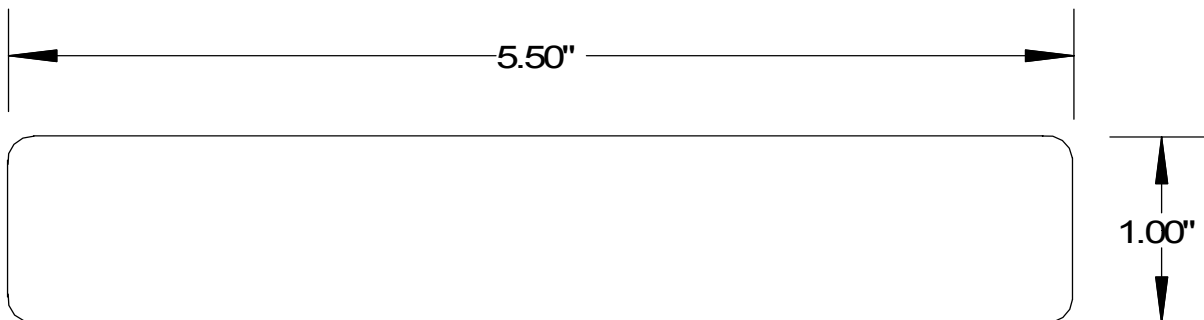


# Decking Boards

## 5/4" x 6"

<b>Bundle Tally</b>	<b>Gross</b>	<b>Net</b>	<b>Bundle Description: 5/4x6</b>						
<b>Thickness</b>	<b>1.25</b>	<b>1</b>							
<b>Width</b>	<b>6</b>	<b>5.5</b>							
<b>Lengths (ft.)</b>			<b>8</b>	<b>10</b>	<b>12</b>	<b>14</b>	<b>16</b>	<b>18</b>	<b>20</b>
<b>Pieces per bundle</b>			<b>105</b>	<b>105</b>	<b>105</b>	<b>105</b>	<b>105</b>	<b>105</b>	<b>105</b>
<b>Gross board feet per bundle</b>			<b>525</b>	<b>656</b>	<b>788</b>	<b>919</b>	<b>1050</b>	<b>1181</b>	<b>1313</b>
<b>Gross board feet per piece</b>			<b>5.0</b>	<b>6.3</b>	<b>7.5</b>	<b>8.8</b>	<b>10.0</b>	<b>11.3</b>	<b>12.5</b>
<b>Net board feet per bundle</b>			<b>385</b>	<b>481</b>	<b>578</b>	<b>674</b>	<b>770</b>	<b>866</b>	<b>963</b>
<b>Net board feet per piece</b>			<b>3.7</b>	<b>4.6</b>	<b>5.5</b>	<b>6.4</b>	<b>7.3</b>	<b>8.3</b>	<b>9.2</b>
<b>Linear feet per bundle</b>			<b>840</b>	<b>1050</b>	<b>1260</b>	<b>1470</b>	<b>1680</b>	<b>1890</b>	<b>2100</b>
<b>Pounds per bundle</b>			<b>2445</b>	<b>3056</b>	<b>3667</b>	<b>4278</b>	<b>4890</b>	<b>5501</b>	<b>6112</b>
<b>Pounds per piece</b>			<b>23.3</b>	<b>29.1</b>	<b>34.9</b>	<b>40.7</b>	<b>46.6</b>	<b>52.4</b>	<b>58.2</b>

\* All tallies describe typical bundles and are subject to change.

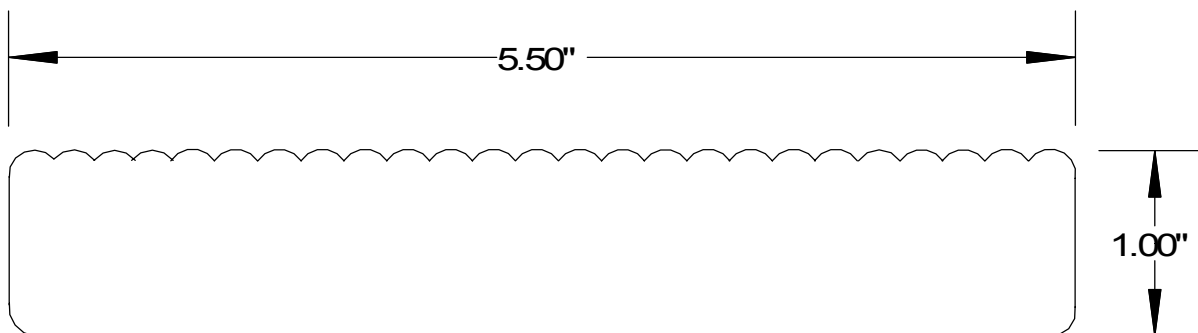


# Decking Boards

## 5/4" x 6" Anti-slip

<b>Bundle Tally</b>	<b>Gross</b>	<b>Net</b>	<b>Bundle Description: 5/4x6 Anti-slip</b>						
Thickness	1.25	1							
Width	6	5.5							
Lengths (ft.)			<b>8</b>	<b>10</b>	<b>12</b>	<b>14</b>	<b>16</b>	<b>18</b>	<b>20</b>
Pieces per bundle			<b>105</b>	<b>105</b>	<b>105</b>	<b>105</b>	<b>105</b>	<b>105</b>	<b>105</b>
Gross board feet per bundle			<b>525</b>	<b>656</b>	<b>788</b>	<b>919</b>	<b>1050</b>	<b>1181</b>	<b>1313</b>
Gross board feet per piece			<b>5.0</b>	<b>6.3</b>	<b>7.5</b>	<b>8.8</b>	<b>10.0</b>	<b>11.3</b>	<b>12.5</b>
Net board feet per bundle			<b>385</b>	<b>481</b>	<b>578</b>	<b>674</b>	<b>770</b>	<b>866</b>	<b>963</b>
Net board feet per piece			<b>3.7</b>	<b>4.6</b>	<b>5.5</b>	<b>6.4</b>	<b>7.3</b>	<b>8.3</b>	<b>9.2</b>
Linear feet per bundle			<b>840</b>	<b>1050</b>	<b>1260</b>	<b>1470</b>	<b>1680</b>	<b>1890</b>	<b>2100</b>
Pounds per bundle			<b>2445</b>	<b>3056</b>	<b>3667</b>	<b>4278</b>	<b>4890</b>	<b>5501</b>	<b>6112</b>
Pounds per piece			<b>23.3</b>	<b>29.1</b>	<b>34.9</b>	<b>40.7</b>	<b>46.6</b>	<b>52.4</b>	<b>58.2</b>

\* All tallies describe typical bundles and are subject to change.

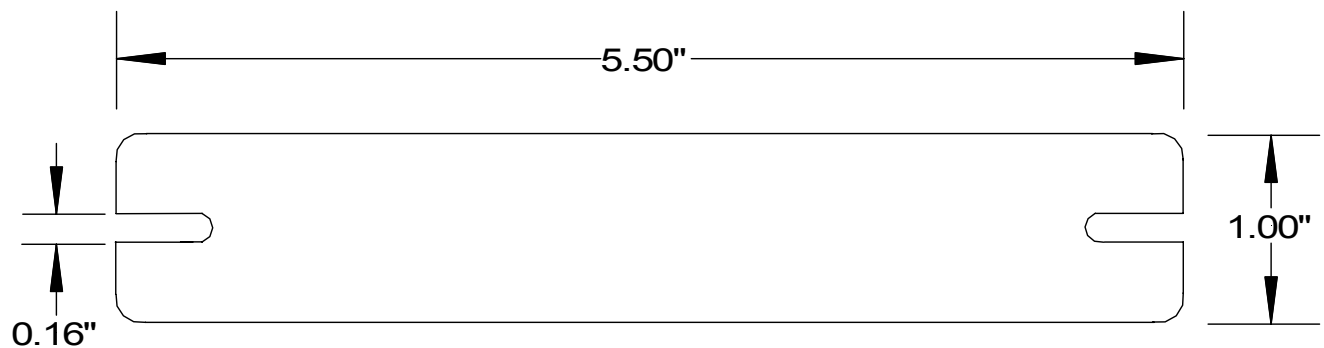


# Decking Boards

## 5/4" x 6" Grooved

<b>Bundle Tally</b>	<b>Gross</b>	<b>Net</b>						
<b>Thickness</b>	<b>1.25</b>	<b>1</b>						
<b>Width</b>	<b>6</b>	<b>5.5</b>	<b>Bundle Description: 5/4x6 Grooved</b>					
<b>Lengths (ft.)</b>	<b>8</b>	<b>10</b>	<b>12</b>	<b>14</b>	<b>16</b>	<b>18</b>	<b>20</b>	
<b>Pieces per bundle</b>	<b>105</b>	<b>105</b>	<b>105</b>	<b>105</b>	<b>105</b>	<b>105</b>	<b>105</b>	
<b>Gross board feet per bundle</b>	<b>525</b>	<b>656</b>	<b>788</b>	<b>919</b>	<b>1050</b>	<b>1181</b>	<b>1313</b>	
<b>Gross board feet per piece</b>	<b>5.0</b>	<b>6.3</b>	<b>7.5</b>	<b>8.8</b>	<b>10.0</b>	<b>11.3</b>	<b>12.5</b>	
<b>Net board feet per bundle</b>	<b>385</b>	<b>481</b>	<b>578</b>	<b>674</b>	<b>770</b>	<b>866</b>	<b>963</b>	
<b>Net board feet per piece</b>	<b>3.7</b>	<b>4.6</b>	<b>5.5</b>	<b>6.4</b>	<b>7.3</b>	<b>8.3</b>	<b>9.2</b>	
<b>Linear feet per bundle</b>	<b>840</b>	<b>1050</b>	<b>1260</b>	<b>1470</b>	<b>1680</b>	<b>1890</b>	<b>2100</b>	
<b>Pounds per bundle</b>	<b>2445</b>	<b>3056</b>	<b>3667</b>	<b>4278</b>	<b>4890</b>	<b>5501</b>	<b>6112</b>	
<b>Pounds per piece</b>	<b>23.3</b>	<b>29.1</b>	<b>34.9</b>	<b>40.7</b>	<b>46.6</b>	<b>52.4</b>	<b>58.2</b>	

\* All tallies describe typical bundles and are subject to change.

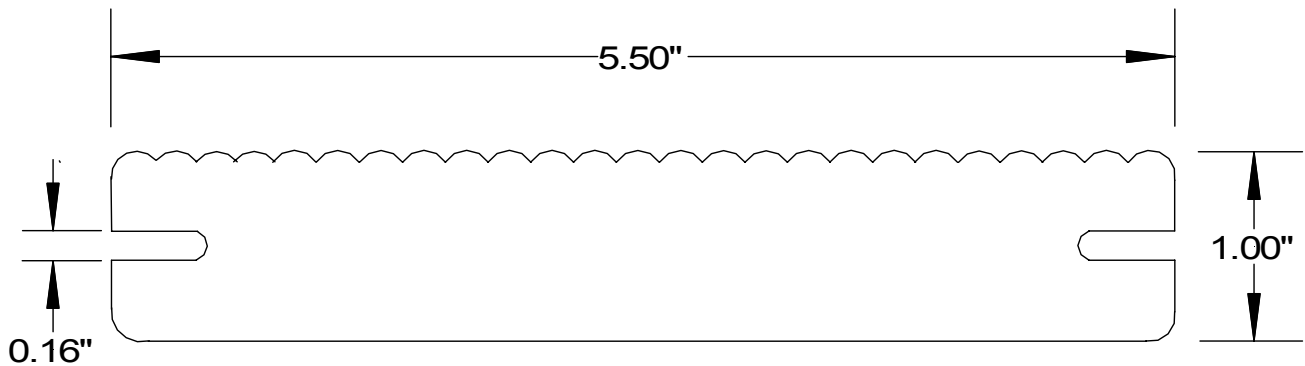


# Decking Boards

## 5/4" x 6" Grooved Anti-slip

<b>Bundle Tally</b>		<b>Gross</b>	<b>Net</b>					
<b>Thickness</b>		<b>1.25</b>	<b>1</b>	<b>Bundle Description: 5/4x6 Grooved Anti-slip</b>				
<b>Width</b>		<b>6</b>	<b>5.5</b>					
<b>Lengths (ft.)</b>		<b>8</b>	<b>10</b>					
<b>Pieces per bundle</b>		<b>105</b>	<b>105</b>	<b>105</b>	<b>105</b>	<b>105</b>	<b>105</b>	<b>105</b>
<b>Gross board feet per bundle</b>		<b>525</b>	<b>656</b>	<b>788</b>	<b>919</b>	<b>1050</b>	<b>1181</b>	<b>1313</b>
<b>Gross board feet per piece</b>		<b>5.0</b>	<b>6.3</b>	<b>7.5</b>	<b>8.8</b>	<b>10.0</b>	<b>11.3</b>	<b>12.5</b>
<b>Net board feet per bundle</b>		<b>385</b>	<b>481</b>	<b>578</b>	<b>674</b>	<b>770</b>	<b>866</b>	<b>963</b>
<b>Net board feet per piece</b>		<b>3.7</b>	<b>4.6</b>	<b>5.5</b>	<b>6.4</b>	<b>7.3</b>	<b>8.3</b>	<b>9.2</b>
<b>Linear feet per bundle</b>		<b>840</b>	<b>1050</b>	<b>1260</b>	<b>1470</b>	<b>1680</b>	<b>1890</b>	<b>2100</b>
<b>Pounds per bundle</b>		<b>2445</b>	<b>3056</b>	<b>3667</b>	<b>4278</b>	<b>4890</b>	<b>5501</b>	<b>6112</b>
<b>Pounds per piece</b>		<b>23.3</b>	<b>29.1</b>	<b>34.9</b>	<b>40.7</b>	<b>46.6</b>	<b>52.4</b>	<b>58.2</b>

\* All tallies describe typical bundles and are subject to change.

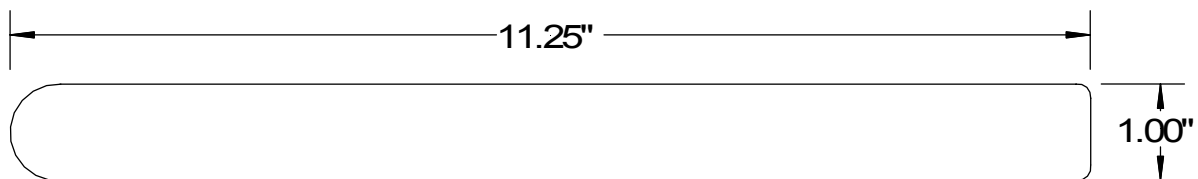


# Decking Boards

## 5/4" x 12" Rounded Edge

<b>Bundle Tally</b>	<b>Gross</b>	<b>Net</b>	<b>Bundle Description:</b>					
Thickness	1.25	1	<b>5/4x12 Rounded Edge</b>					
Width	12	11.25						
Lengths (ft.)	<b>8</b>	<b>10</b>	<b>12</b>	<b>14</b>	<b>16</b>	<b>18</b>	<b>20</b>	
Pieces per bundle	56	56	56	56	56	56	56	
Gross board feet per bundle	560	700	840	980	1120	1260	1400	
Gross board feet per piece	10.0	12.5	15.0	17.5	20.0	22.5	25.0	
Net board feet per bundle	420	525	630	735	840	945	1050	
Net board feet per piece	7.5	9.4	11.3	13.1	15.0	16.9	18.8	
Linear feet per bundle	448	560	672	784	896	1008	1120	
Pounds per bundle	2667	3334	4001	4667	5334	6001	6668	
Pounds per piece	47.6	59.5	71.4	83.3	95.3	107.2	119.1	

\* All tallies describe typical bundles and are subject to change.



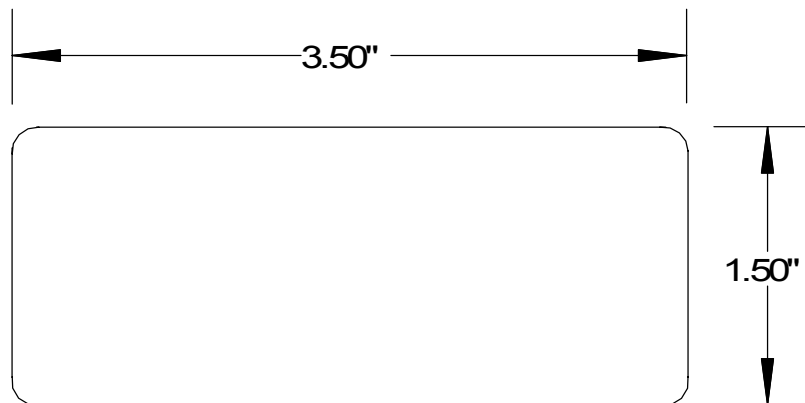
\*Shown at half scale

# Decking Boards

## 2" x 4"

<b>Bundle Tally</b>	<b>Gross</b>	<b>Net</b>	<b>Bundle Description: 2x4</b>						
Thickness	2	1.5							
Width	4	3.5							
Lengths (ft.)			<b>8</b>	<b>10</b>	<b>12</b>	<b>14</b>	<b>16</b>	<b>18</b>	<b>20</b>
Pieces per bundle			<b>119</b>	<b>119</b>	<b>119</b>	<b>119</b>	<b>119</b>	<b>119</b>	<b>119</b>
Gross board feet per bundle			<b>635</b>	<b>793</b>	<b>952</b>	<b>1111</b>	<b>1269</b>	<b>1428</b>	<b>1587</b>
Gross board feet per piece			<b>5.3</b>	<b>6.7</b>	<b>8.0</b>	<b>9.3</b>	<b>10.7</b>	<b>12.0</b>	<b>13.3</b>
Net board feet per bundle			<b>417</b>	<b>521</b>	<b>625</b>	<b>729</b>	<b>833</b>	<b>937</b>	<b>1041</b>
Net board feet per piece			<b>3.5</b>	<b>4.4</b>	<b>5.3</b>	<b>6.1</b>	<b>7.0</b>	<b>7.9</b>	<b>8.8</b>
Linear feet per bundle			<b>952</b>	<b>1190</b>	<b>1428</b>	<b>1666</b>	<b>1904</b>	<b>2142</b>	<b>2380</b>
Pounds per bundle			<b>2645</b>	<b>3306</b>	<b>3967</b>	<b>4628</b>	<b>5290</b>	<b>5951</b>	<b>6612</b>
Pounds per piece			<b>22.2</b>	<b>27.8</b>	<b>33.3</b>	<b>38.9</b>	<b>44.5</b>	<b>50.0</b>	<b>55.6</b>

\* All tallies describe typical bundles and are subject to change.

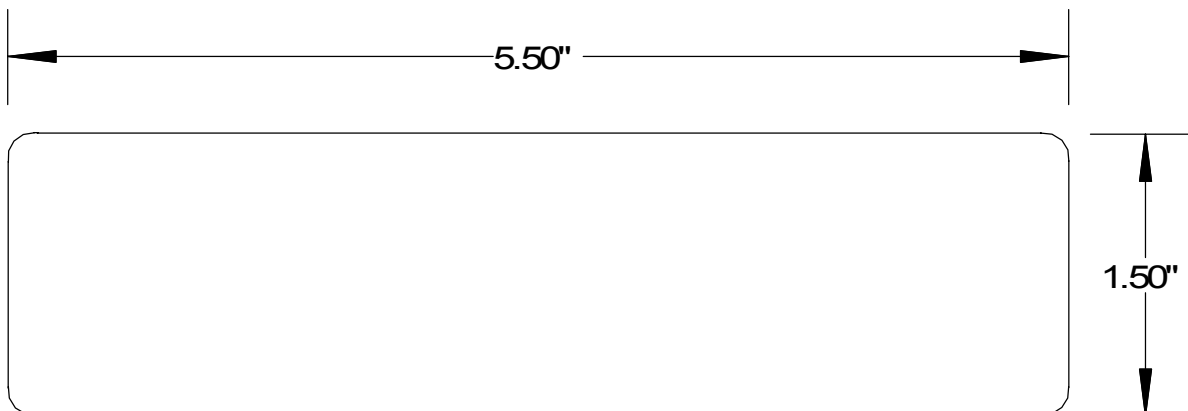


# Decking Boards

## 2" x 6"

<b>Bundle Tally</b>	<b>Gross</b>	<b>Net</b>	<b>Bundle Description: 2x6</b>						
<b>Thickness</b>	<b>2</b>	<b>1.5</b>							
<b>Width</b>	<b>6</b>	<b>5.5</b>							
<b>Lengths (ft.)</b>			<b>8</b>	<b>10</b>	<b>12</b>	<b>14</b>	<b>16</b>	<b>18</b>	<b>20</b>
<b>Pieces per bundle</b>			<b>91</b>	<b>91</b>	<b>91</b>	<b>91</b>	<b>91</b>	<b>91</b>	<b>91</b>
<b>Gross board feet per bundle</b>			<b>728</b>	<b>910</b>	<b>1092</b>	<b>1274</b>	<b>1456</b>	<b>1638</b>	<b>1820</b>
<b>Gross board feet per piece</b>			<b>8.0</b>	<b>10.0</b>	<b>12.0</b>	<b>14.0</b>	<b>16.0</b>	<b>18.0</b>	<b>20.0</b>
<b>Net board feet per bundle</b>			<b>501</b>	<b>626</b>	<b>751</b>	<b>876</b>	<b>1001</b>	<b>1126</b>	<b>1251</b>
<b>Net board feet per piece</b>			<b>5.5</b>	<b>6.9</b>	<b>8.3</b>	<b>9.6</b>	<b>11.0</b>	<b>12.4</b>	<b>13.8</b>
<b>Linear feet per bundle</b>			<b>728</b>	<b>910</b>	<b>1092</b>	<b>1274</b>	<b>1456</b>	<b>1638</b>	<b>1820</b>
<b>Pounds per bundle</b>			<b>3178</b>	<b>3973</b>	<b>4767</b>	<b>5562</b>	<b>6356</b>	<b>7151</b>	<b>7945</b>
<b>Pounds per piece</b>			<b>34.9</b>	<b>43.7</b>	<b>52.4</b>	<b>61.1</b>	<b>69.9</b>	<b>78.6</b>	<b>87.3</b>

\* All tallies describe typical bundles and are subject to change.

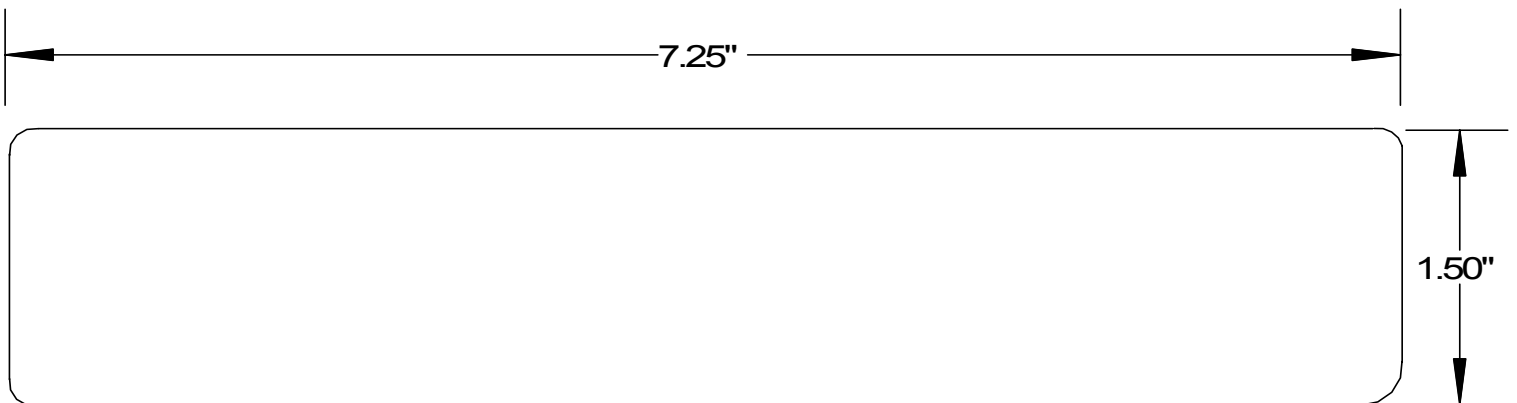


# Decking Boards

## 2" x 8"

<b>Bundle Tally</b>	<b>Gross</b>	<b>Net</b>	<b>Bundle Description: 2x8</b>						
<b>Thickness</b>	<b>2</b>	<b>1.5</b>							
<b>Width</b>	<b>8</b>	<b>7.5</b>							
<b>Lengths (ft.)</b>			<b>8</b>	<b>10</b>	<b>12</b>	<b>14</b>	<b>16</b>	<b>18</b>	<b>20</b>
<b>Pieces per bundle</b>			<b>60</b>	<b>60</b>	<b>60</b>	<b>60</b>	<b>60</b>	<b>60</b>	<b>60</b>
<b>Gross board feet per bundle</b>			<b>640</b>	<b>800</b>	<b>960</b>	<b>1120</b>	<b>1280</b>	<b>1440</b>	<b>1600</b>
<b>Gross board feet per piece</b>			<b>10.7</b>	<b>13.3</b>	<b>16.0</b>	<b>18.7</b>	<b>21.3</b>	<b>24.0</b>	<b>26.7</b>
<b>Net board feet per bundle</b>			<b>450</b>	<b>563</b>	<b>675</b>	<b>788</b>	<b>900</b>	<b>1013</b>	<b>1125</b>
<b>Net board feet per piece</b>			<b>7.5</b>	<b>9.4</b>	<b>11.3</b>	<b>13.1</b>	<b>15.0</b>	<b>16.9</b>	<b>18.8</b>
<b>Linear feet per bundle</b>			<b>480</b>	<b>600</b>	<b>720</b>	<b>840</b>	<b>960</b>	<b>1080</b>	<b>1200</b>
<b>Pounds per bundle</b>			<b>2858</b>	<b>3572</b>	<b>4286</b>	<b>5001</b>	<b>5715</b>	<b>6429</b>	<b>7144</b>
<b>Pounds per piece</b>			<b>47.6</b>	<b>59.5</b>	<b>71.4</b>	<b>83.3</b>	<b>95.3</b>	<b>107.2</b>	<b>119.1</b>

\* All tallies describe typical bundles and are subject to change.

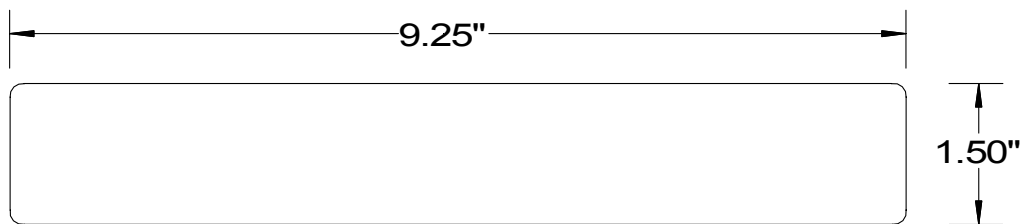


# Decking Boards

## 2" x 10"

<b>Bundle Tally</b>	<b>Gross</b>	<b>Net</b>	<b>Bundle Description: 2x10</b>						
Thickness	2	1.5							
Width	10	9.25							
Lengths (ft.)			8	10	12	14	16	18	20
Pieces per bundle			56	56	56	56	56	56	56
Gross board feet per bundle			747	933	1120	1307	1493	1680	1867
Gross board feet per piece			13.3	16.7	20.0	23.3	26.7	30.0	33.3
Net board feet per bundle			518	648	777	907	1036	1166	1295
Net board feet per piece			9.3	11.6	13.9	16.2	18.5	20.8	23.1
Linear feet per bundle			448	560	672	784	896	1008	1120
Pounds per bundle			3289	4112	4934	5756	6579	7401	8223
Pounds per piece			58.7	73.4	88.1	102.8	117.5	132.2	146.8

\* All tallies describe typical bundles and are subject to change.



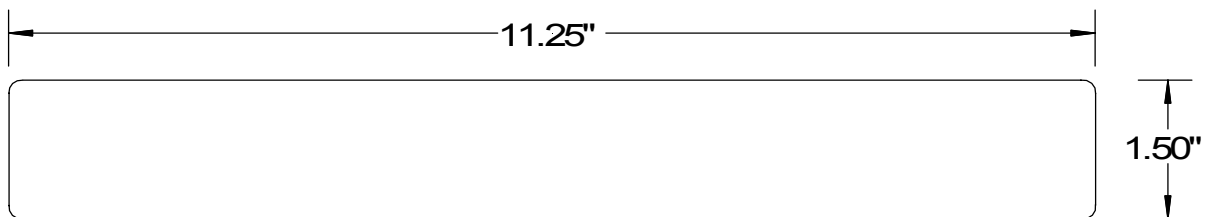
\*Shown at half scale

# Decking Boards

## 2" x 12"

<b>Bundle Tally</b>	<b>Gross</b>	<b>Net</b>	<b>Bundle Description: 2x12</b>						
<b>Thickness</b>	<b>2</b>	<b>1.5</b>							
<b>Width</b>	<b>12</b>	<b>11.25</b>							
<b>Lengths (ft.)</b>			<b>8</b>	<b>10</b>	<b>12</b>	<b>14</b>	<b>16</b>	<b>18</b>	<b>20</b>
<b>Pieces per bundle</b>			<b>48</b>	<b>48</b>	<b>48</b>	<b>48</b>	<b>48</b>	<b>48</b>	<b>48</b>
<b>Gross board feet per bundle</b>			<b>768</b>	<b>960</b>	<b>1152</b>	<b>1344</b>	<b>1536</b>	<b>1728</b>	<b>1920</b>
<b>Gross board feet per piece</b>			<b>16.0</b>	<b>20.0</b>	<b>24.0</b>	<b>28.0</b>	<b>32.0</b>	<b>36.0</b>	<b>40.0</b>
<b>Net board feet per bundle</b>			<b>540</b>	<b>675</b>	<b>810</b>	<b>945</b>	<b>1080</b>	<b>1215</b>	<b>1350</b>
<b>Net board feet per piece</b>			<b>11.3</b>	<b>14.1</b>	<b>16.9</b>	<b>19.7</b>	<b>22.5</b>	<b>25.3</b>	<b>28.1</b>
<b>Linear feet per bundle</b>			<b>384</b>	<b>480</b>	<b>576</b>	<b>672</b>	<b>768</b>	<b>864</b>	<b>960</b>
<b>Pounds per bundle</b>			<b>3429</b>	<b>4286</b>	<b>5144</b>	<b>6001</b>	<b>6858</b>	<b>7715</b>	<b>8573</b>
<b>Pounds per piece</b>			<b>71.4</b>	<b>89.3</b>	<b>107.2</b>	<b>125.0</b>	<b>142.9</b>	<b>160.7</b>	<b>178.6</b>

\* All tallies describe typical bundles and are subject to change.



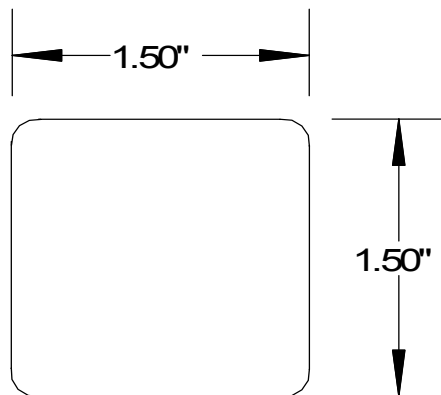
\*Shown at half scale

# Pickets

## 2" x 2"

<b>Bundle Tally</b>	<b>Gross</b>	<b>Net</b>	<b>Bundle Description:</b>			
Thickness	2	1.5	<b>2x2 Pickets</b>			
Width	2	1.5				
<b>Lengths (ft.)</b>			<b>3</b>	<b>4</b>	<b>8</b>	<b>10</b>
<b>Pieces per bundle</b>			<b>500</b>	<b>500</b>	<b>500</b>	<b>500</b>
<b>Gross board feet per bundle</b>			<b>500</b>	<b>667</b>	<b>1333</b>	<b>1667</b>
<b>Gross board feet per piece</b>			<b>1.0</b>	<b>1.3</b>	<b>2.7</b>	<b>3.3</b>
<b>Net board feet per bundle</b>			<b>281</b>	<b>375</b>	<b>750</b>	<b>938</b>
<b>Net board feet per piece</b>			<b>0.6</b>	<b>0.8</b>	<b>1.5</b>	<b>1.9</b>
<b>Linear feet per bundle</b>			<b>1500</b>	<b>2000</b>	<b>4000</b>	<b>5000</b>
<b>Pounds per bundle</b>			<b>1786</b>	<b>2381</b>	<b>4763</b>	<b>5953</b>
<b>Pounds per piece</b>			<b>3.6</b>	<b>4.8</b>	<b>9.5</b>	<b>11.9</b>

\* All tallies describe typical bundles and are subject to change.

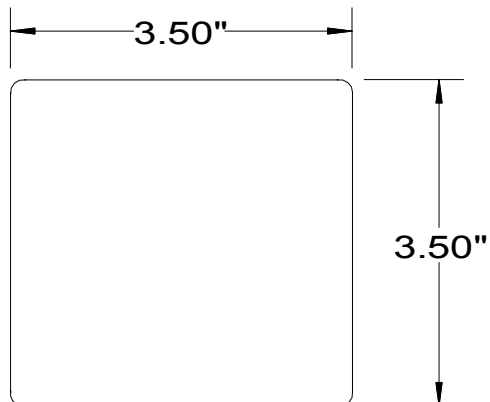


# Posts

## 4" x 4"

<b>Bundle Tally</b>	<b>Gross</b>	<b>Net</b>	<b>Bundle Description: 4x4 Posts</b>						
<b>Thickness</b>	4	3.5							
<b>Width</b>	4	3.5							
<b>Lengths (ft.)</b>			<b>8</b>	<b>10</b>	<b>12</b>	<b>14</b>	<b>16</b>	<b>18</b>	<b>20</b>
<b>Pieces per bundle</b>			50	50	50	50	50	50	50
<b>Gross board feet per bundle</b>			533	667	800	933	1067	1200	1333
<b>Gross board feet per piece</b>			10.7	13.3	16.0	18.7	21.3	24.0	26.7
<b>Net board feet per bundle</b>			408	510	613	715	817	919	1021
<b>Net board feet per piece</b>			8.2	10.2	12.3	14.3	16.3	18.4	20.4
<b>Linear feet per bundle</b>			400	500	600	700	800	900	1000
<b>Pounds per bundle</b>			2593	3241	3889	4538	5186	5834	6482
<b>Pounds per piece</b>			51.9	64.8	77.8	90.8	103.7	116.7	129.6

\* All tallies describe typical bundles and are subject to change.



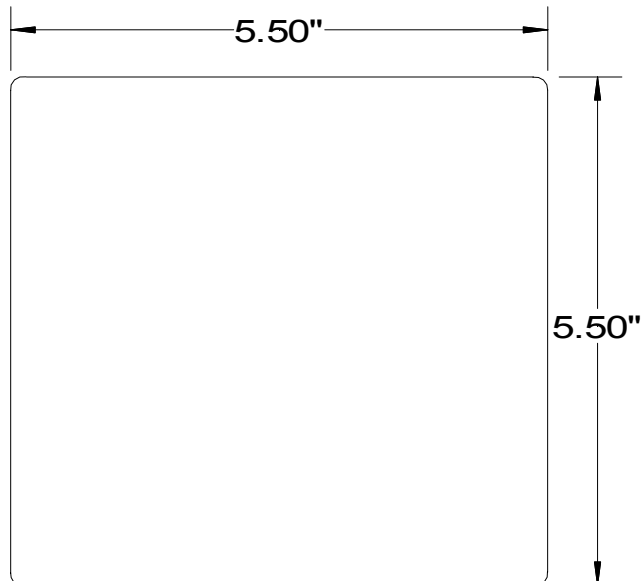
\*Shown at half scale

# Posts

## 6" x 6"

<b>Bundle Tally</b>	<b>Gross</b>	<b>Net</b>	<b>Bundle Description: 6x6 Posts</b>						
<b>Thickness</b>	6	5.5							
<b>Width</b>	6	5.5							
<b>Lengths (ft.)</b>			<b>8</b>	<b>10</b>	<b>12</b>	<b>14</b>	<b>16</b>	<b>18</b>	<b>20</b>
<b>Pieces per bundle</b>			30	30	30	30	30	30	30
<b>Gross board feet per bundle</b>			720	900	1080	1260	1440	1620	1800
<b>Gross board feet per piece</b>			24.0	30.0	36.0	42.0	48.0	54.0	60.0
<b>Net board feet per bundle</b>			605	756	908	1059	1210	1361	1513
<b>Net board feet per piece</b>			20.2	25.2	30.3	35.3	40.3	45.4	50.4
<b>Linear feet per bundle</b>			240	300	360	420	480	540	600
<b>Pounds per bundle</b>			3842	4802	5763	6723	7684	8644	9604
<b>Pounds per piece</b>			128.1	160.1	192.1	224.1	256.1	288.1	320.1

\* All tallies describe typical bundles and are subject to change.



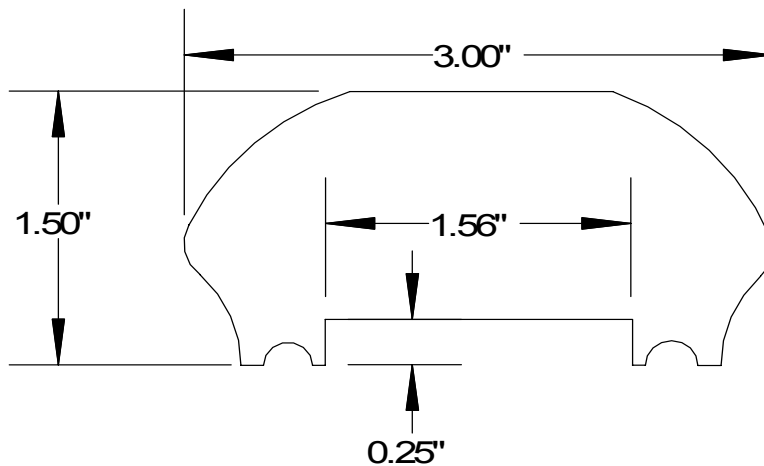
\*Shown at half scale

# Handrails

## 2" x 4"

<b>Bundle Tally</b>	<b>Gross</b>	<b>Net</b>					
<b>Thickness</b>	<b>2</b>	<b>1.5</b>					
<b>Width</b>	<b>4</b>	<b>3.5</b>	<b>Bundle Description: 2 x 4 Handrails</b>				
<b>Lengths (ft.)</b>	<b>8</b>	<b>10</b>	<b>12</b>	<b>14</b>	<b>16</b>	<b>18</b>	<b>20</b>
<b>Pieces per bundle</b>	<b>128</b>	<b>128</b>	<b>128</b>	<b>128</b>	<b>128</b>	<b>128</b>	<b>128</b>
<b>Gross board feet per bundle</b>	<b>683</b>	<b>3840</b>	<b>4608</b>	<b>5376</b>	<b>6144</b>	<b>6912</b>	<b>7680</b>
<b>Gross board feet per piece</b>	<b>5.3</b>	<b>30.0</b>	<b>36.0</b>	<b>42.0</b>	<b>48.0</b>	<b>54.0</b>	<b>60.0</b>
<b>Net board feet per bundle</b>	<b>359</b>	<b>448</b>	<b>538</b>	<b>628</b>	<b>717</b>	<b>807</b>	<b>897</b>
<b>Net board feet per piece</b>	<b>2.8</b>	<b>3.5</b>	<b>4.2</b>	<b>4.9</b>	<b>5.6</b>	<b>6.3</b>	<b>7.0</b>
<b>Linear feet per bundle</b>	<b>1024</b>	<b>1280</b>	<b>1536</b>	<b>1792</b>	<b>2048</b>	<b>2304</b>	<b>2560</b>
<b>Pounds per bundle</b>	<b>2278</b>	<b>2847</b>	<b>3417</b>	<b>3986</b>	<b>4556</b>	<b>5125</b>	<b>5695</b>
<b>Pounds per piece</b>	<b>17.8</b>	<b>22.2</b>	<b>26.7</b>	<b>31.1</b>	<b>35.6</b>	<b>40.0</b>	<b>44.5</b>

\* All tallies describe typical bundles and are subject to change.

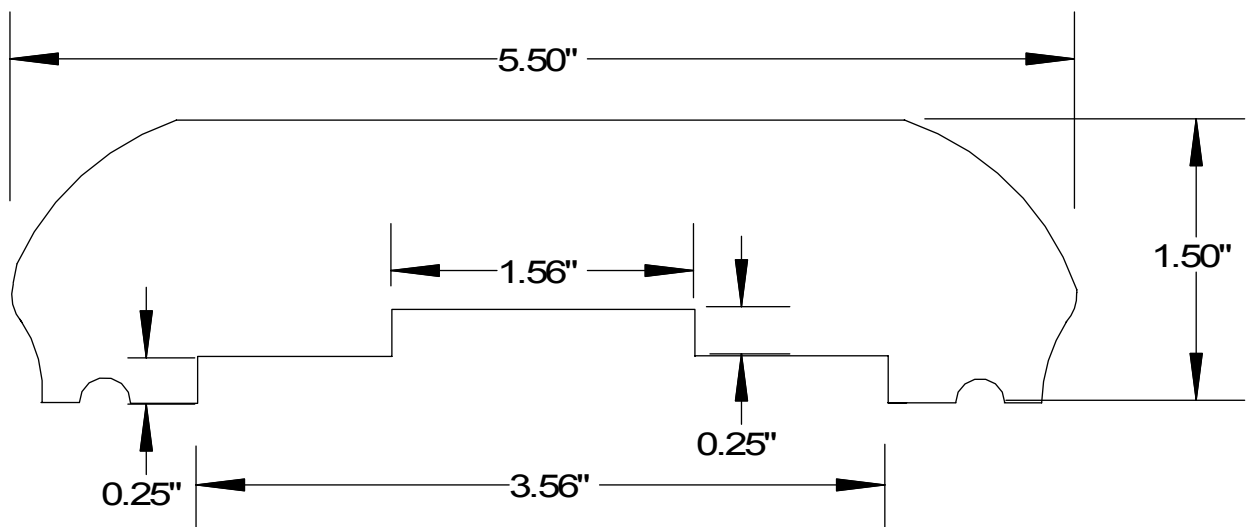


# Handrails

## 2" x 6"

<b>Bundle Tally</b>	<b>Gross</b>	<b>Net</b>					
Thickness	2	1.5					
Width	6	5.5	<b>Bundle Description: 2 x 6 Handrails</b>				
Lengths (ft.)	8	10	12	14	16	18	20
Pieces per bundle	90	90	90	90	90	90	90
Gross board feet per bundle	720	900	1080	1260	1440	1620	1800
Gross board feet per piece	8.0	10.0	12.0	14.0	16.0	18.0	20.0
Net board feet per bundle	377	471	565	660	754	848	942
Net board feet per piece	4.2	5.2	6.3	7.3	8.4	9.4	10.5
Linear feet per bundle	720	900	1080	1260	1440	1620	1800
Pounds per bundle	2393	2991	3590	4188	4786	5385	5983
Pounds per piece	26.6	33.2	39.9	46.5	53.2	59.8	66.5

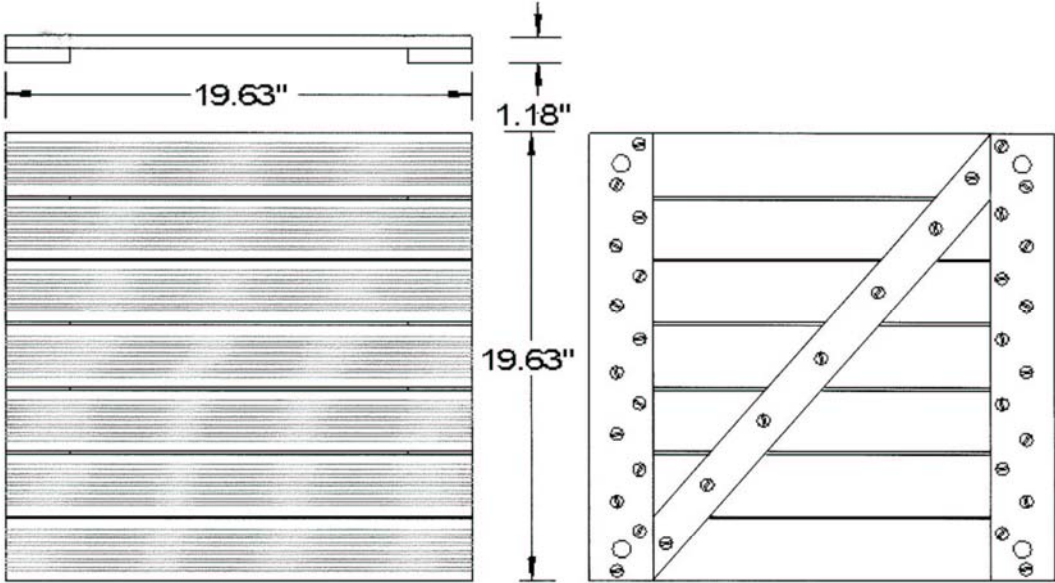
\* All tallies describe typical bundles and are subject to change.



# Patio Tiles

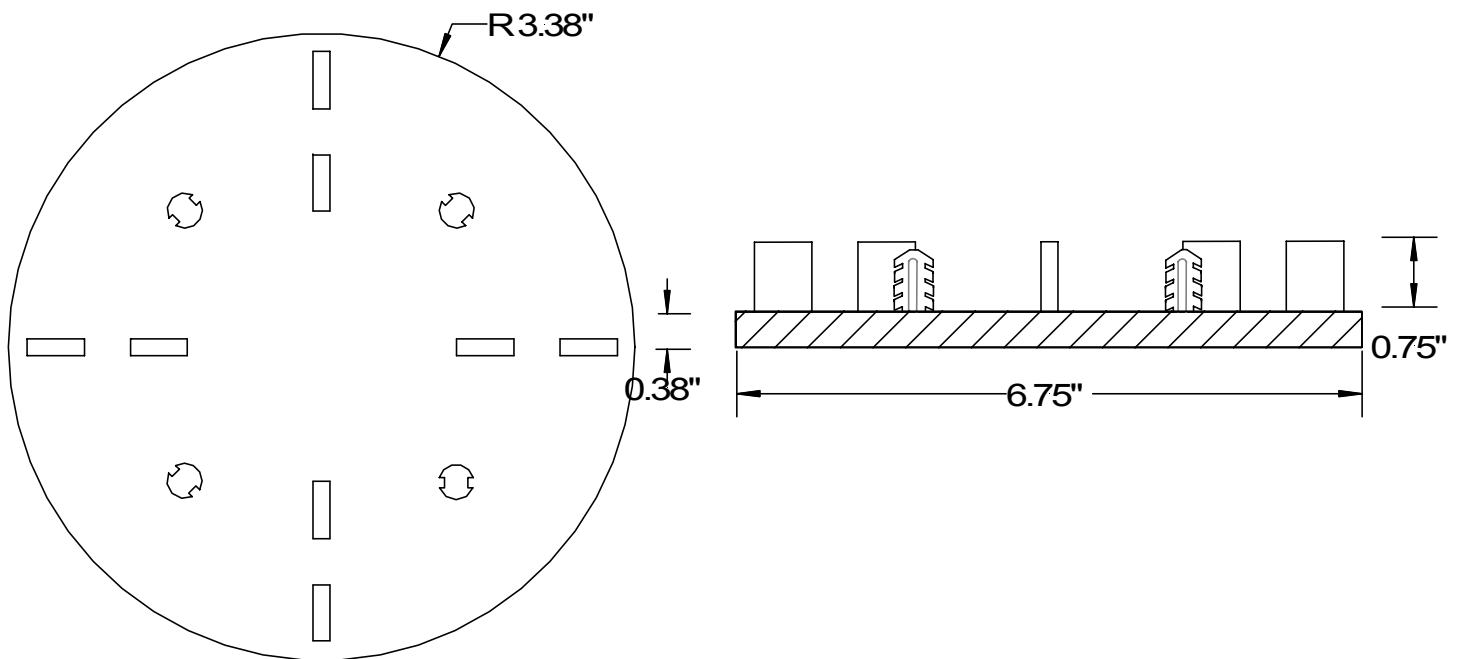
**20" x 20"**

<b>Bundle Talley Guide</b>	<b>Gross</b>	<b>Net</b>	<b>Bundle Description: Patio Tiles</b>
Length (inches)	20	19.625	
Width (inches)	20	19.625	
<b>Pieces per bundle</b>			<b>136</b>
<b>Gross square feet per bundle</b>			<b>367</b>
<b>Gross square feet per piece</b>			<b>2.7</b>
<b>Net square feet per bundle</b>			<b>367</b>
<b>Net square feet per piece</b>			<b>2.7</b>
<b>Pounds per bundle</b>			<b>1300</b>
<b>Pounds per piece</b>			<b>12</b>





**Packaged 150 units per box**





**Packaged 200 units per box**

